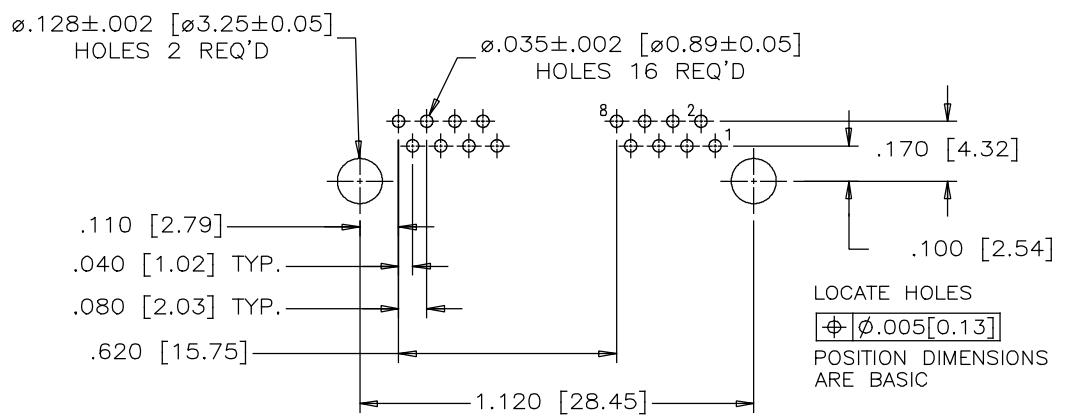
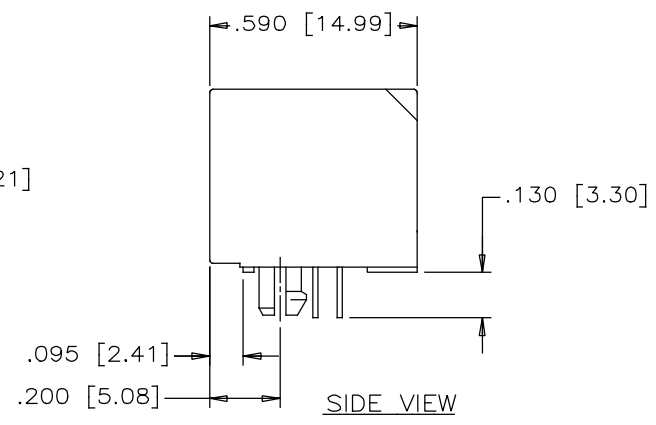
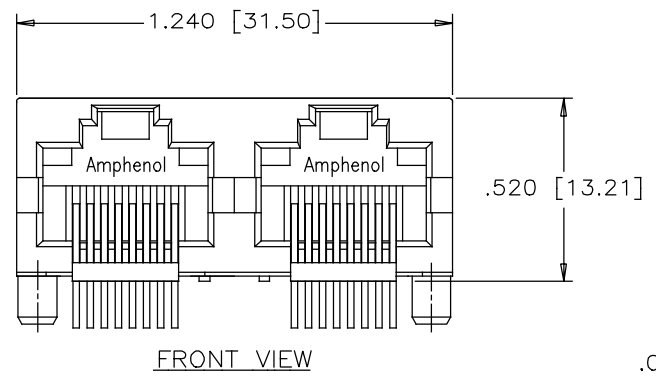


REVISIONS			
REV	DESCRIPTION, ECN, EAR NO.	DATE	APP'D
A	PROPOSAL	MAR13/18	L.CHAN



RECOMMENDED P.C.B. LAYOUT
(COMPONENT SIDE OF BOARD)

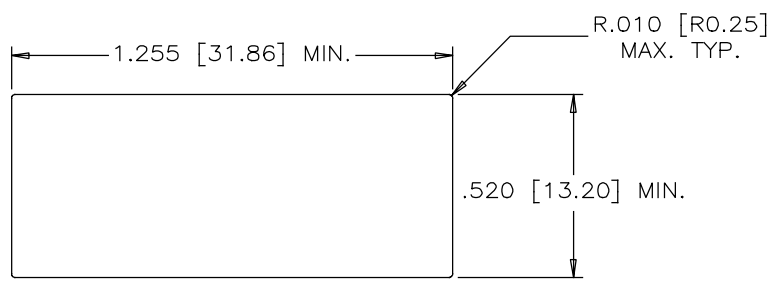
MATERIALS:
 PLASTIC HOUSING: HIGH TEMPERATURE THERMOPLASTIC
 FLAMMABILITY RATING UL 94V-0, COLOR BLACK

CONTACTS: PHOSPHOR BRONZE
 PLATING: GOLD PLATING ON MATING SURFACE.
 [SEE PART NUMBER FOR THICKNESS]
 50 μ" [1.27 MICRONS]
 MIN. NICKEL UNDERPLATE
 100 μ" [2.54 MICRONS]
 MIN. MATTE TIN ON CONTACT TAILS.

PART NUMBER: RJHSE-X080-A2

GOLD PLATING

- E=RJ45 FLAT CONTACT 6u"
- G=RJ45 FLAT CONTACT 15u"
- J=RJ45 FLAT CONTACT 30u"
- 5=RJ45 FLAT CONTACT 50u"



RECOMMENDED PANEL CUTOUT

UNLESS SPECIFIED OTHERWISE	DRAWN	W.QIU	DATE	MAR13/18
PRIMARY UNITS INCH	CHECKED	L.CHAN	DATE	MAR13/18
SECONDARY MILLIMETER	M.E. APP'D			
REFERENCE IN PARENTHESES	Q.A. APP'D			
GENERAL TOLERANCES	DWG APPR.			
1 DECIMAL PLACE ±0.025	ENG. REL. NO.			
2 DECIMAL PLACES ±0.020	REF.			
3 DECIMAL PLACES ±0.015	THIRD ANGLE PROJECTION			
ANGULAR DEGREES ±1.0°	DO NOT SCALE DRAWING			

Amphenol Canada Corp.	
www.amphenolcanada.com	
TITLE	
2-PORT HIGH SPEED RJ45, 8P8C WITHOUT SHIELD & LEDS, 0.13" LONG CONTACT TAIL, -RoHS COMPLIANT	
DWG. NO.	REV
P-RJHSE-X080-A2	A
CODE ID NO. 03554	DWG SIZE: C
SCALE: N/A	SHEET 1 OF 1

THIS DOCUMENT CONTAINS PROPRIETARY INFORMATION AND SUCH INFORMATION MAY NOT BE DISCLOSED TO OTHERS FOR ANY PURPOSE OR USED FOR MANUFACTURING PURPOSES WITHOUT WRITTEN PERMISSION FROM AMPHENOL CANADA CORP.